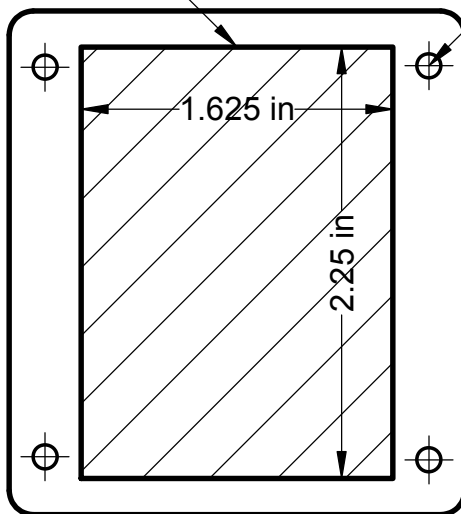


## HotShot™ Fascia Template

Remove Cross Hatched Area

Four 1/8" Clearance Holes  
for No. 4 Pan-Head Screws



Faceplate Outline